

5305, 5310 SERIES

Heavy Duty Horizontal Hold Down Clamps | Product Overview

Features:

- Solid clamping arm may be modified to suit requirements
- Hardened steel pivot pins and bushings provide long life
- Black oxide finish
- DESTACO® Toggle Lock Plus™ versions available†

Applications:

- Welding fixtures
- Assembly fixtures
- Light machining



5305/5310
Flanged Base

5305-B/5310-B
Solid
Base

5305-R/5310-R
Flanged Base
DESTACO®
Toggle Lock
Plus™

5305-BR[Ⓢ]/5310-BR[Ⓢ]
Solid Base
DESTACO®
Toggle Lock
Plus™



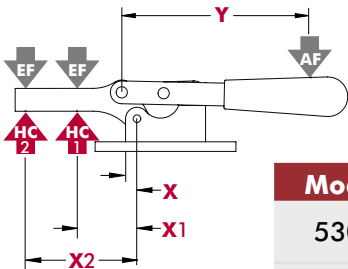
Technical Information

Model	Max. Holding Capacity	Clamp Bar Opening (+10°)	Handle Opening (+10°)	Weight
5305	[600 lbf] 2670 N	90°	69°	[1.08lbs] 0,49 kg
5305-B				[0.82lbs] 0,37 kg
5305-R				[1.09lbs] 0,49 kg
5305-BR [Ⓢ]				[0.83lbs] 0,37 kg
5310	[1300 lbf] 5780 N	90°	69°	[2.84lbs] 1,29 kg
5310-B				[2.24lbs] 1,02 kg
5310-R				[2.87lbs] 1,30 kg
5310-BR [Ⓢ]				[2.27lbs] 1,03 kg

[Ⓢ] This item is available upon request.

† Toggle Lock Plus™ locks the handle in the closed position only.

Holding Capacities



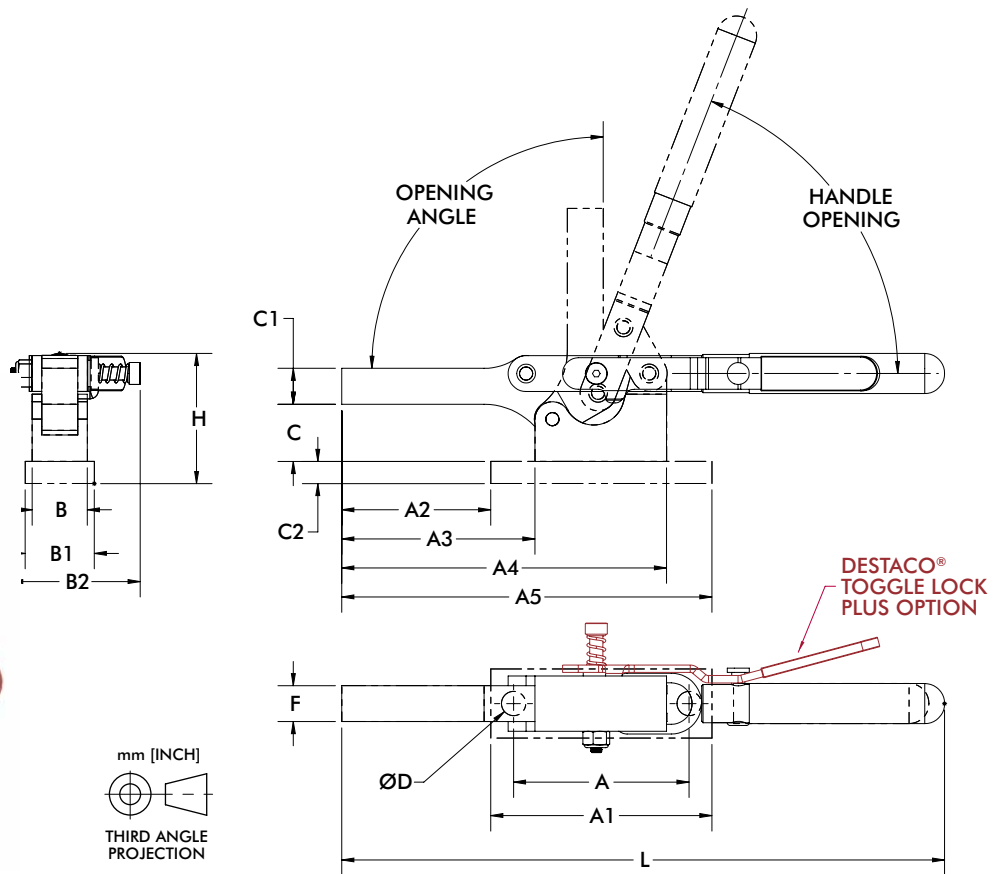
Model	X	X1	X2	Y	±HC1	±HC2	±EF(X1):AF	±EF(X2):AF
5305	[0.25] 6.3	[1.57] 40	[2.75] 70	[4.92] 125	[600 lbf] 2670 N	[340 lbf] 1500 N	10:1	5:1
5310	[0.38] 9.5	[1.97] 50	[3.66] 93	[6.10] 155	[1300 lbf] 5780 N	[675 lbf] 3000 N	10:1	8:1

Dimensions shown "mm [inch]" ± HC = Holding Capacity, EF = Exerting Force, AF = Applied Force
See page MC-TEC-4 for additional information.

5305, 5310 SERIES

Heavy Duty Horizontal Hold Down Clamps | Dimensions

5305/5310
Flanged Base



Model	A	A1	A2	A3	A4	A5	B	B1	B2	C	C1	C2	D	F	H	L
5305	[2.50] 63,5	[3.15] 80,0	[2.12] 53,8	[2.75] 69,9	[4.63] 117,6	[5.27] 133,9	[0.79] 20,1	[0.98] 24,9	--	[0.81] 20,6	[0.51] 13,0	[0.31] 7,9	[0.35] 8,9	[0.51] 13,0	[1.51] 38,4	[8.36] 212,4
5305-R									[1.84] 46,7							
5310	[3.63] 92,2	[4.63] 117,6	[2.63] 66,8	[3.63] 92,2	[6.25] 158,8	[7.25] 184,2	[1.13] 28,7	[1.50] 38,1	--	[1.00] 25,4	[0.75] 19,1	[0.31] 7,9	[0.41] 10,4	[0.79] 20,1	[2.00] 50,8	[11.13] 282,6
5310-R									[2.31] 58,7							[11.02] 279,8

Model	A3	A4	B2	C	C1	F	H	L
5305-B	[2.75] 69,9	[4.63] 117,6	--	[0.81] 20,6	[0.51] 13,0	[0.51] 13,0	[1.51] 38,4	[8.36] 212,4
5305-BR ^①			[1.84] 46,7					
5310-B	[3.63] 92,2	[6.25] 158,8	--	[1.00] 25,4	[0.75] 19,1	[0.79] 20,1	[2.35] 59,6	[11.13] 282,6
5310-BR ^①			[2.31] 58,7					[11.02] 279,8

^① This item is available upon request